

SRP-N118

- process meter in wall-mounted case
- input 0/4-20 mA, 0/1-5V, 0/2-10V
- 0 or 2 relay outputs
- power supply output: 24V DC
- RS-485 / Modbus RTU

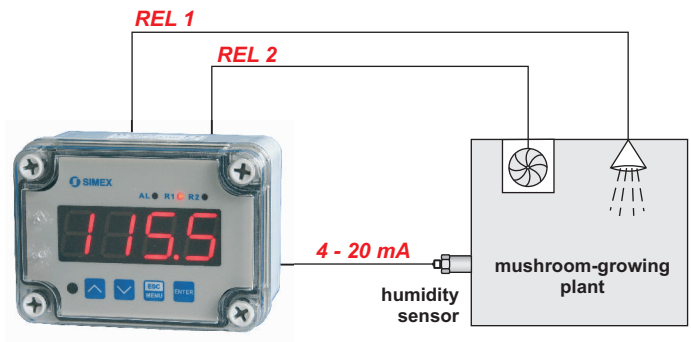


The **SRP-N118** process meter features easy operation, functional programming menu and a clear 4-decade, 20-millimetre LED display. Tight case with high protection class (IP 65) makes it an ideal choice for heavy-duty applications. The current input has a protection safeguarding the measuring resistor against damage. The device operates in the following modes: linear, root, square and user defined (max. 20 points). The relay (or OC) outputs can be controlled according to one or two threshold values. The settings can be changed without opening the tight case, by an infrared remote control.

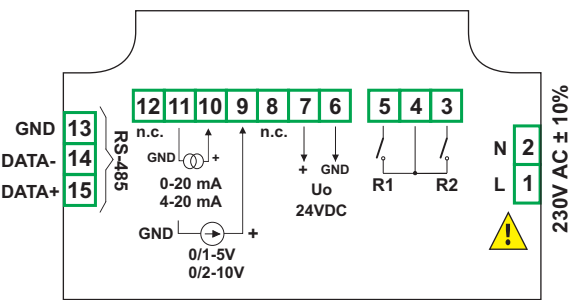
- programmable measuring input type, range of displayed values, password and decimal point,
- programmable hystereses and delays of control outputs,
- programmable indication filtration,
- programmable processing characteristics,
- overload-protected current input,
- signal peak value detection.

Typical applications

1. Air humidity adjustment in the mushroom-growing plant.
2. Local indications in the measuring location.
3. Installation in difficult environment: high humidity, dust, etc.



Exemplary pin assignment



Technical data

Power supply: 110V AC $\pm 5\%$, 230V AC $\pm 10\%$ or 24V DC (non separated)
Power consumption: for 110V AC and 230V AC: max. 2,6 VA; for 24V DC: max. 4,5 W
Display: LED, red, 4 x 20 mm high
Input: current 0-20 mA or 4-20 mA, programmable, input resistance $< 65 \Omega$ (typ. 55 Ω), overload-protected, input current limited to 40 mA; voltage 0-5 V, 1-5V, 0-10V or 2-10V, programmable, input resistance $> 50 k\Omega$
Displayed values range: -999 - 9999 + decimal point
Accuracy: $\pm 0,25\% \pm$ one digit in the entire operation range
Outputs: 0 or 2 relays 1A/250V AC ($\cos\phi=1$) or OC 30mA/30VDC/100 mW
Transducer power supply output: 24V DC, non-stabilized, not insulated from measuring inputs; for 230V AC $\pm 3V$ power supply: max. 25 mA; for 24V DC $\pm 15\%$ power supply: max. 100 mA
Communication interface: RS-485, 8N1 and 8N2, 1200 bit/s + 115200 bit/s, Modbus RTU (not galvanically isolated)
Operating temperature: 0°C + +50°C (standard), -20°C + +50°C (option)
Storage temperature: -10°C + +70°C
Protection class: IP 65
Case: wall-mounted
Case material: ABS + glass fibre
Case dimensions: without glands: 110 x 80 x 67 mm; with glands: 110 x 105 x 67 mm

Ordering

SRP-N118-18XX-1-X-XX-001

options:
 08 : operating temp. -20°C + +50°C

power supply:
 1 : 24V DC
 2 : 230V AC
 8 : 110V AC

number of outputs:
 0 : no output
 1 : REL
 2 : OC

Accessories

